
Subject: what button

Posted by [shippo](#) on Sat, 10 Oct 2009 01:34:55 GMT

[View Forum Message](#) <> [Reply to Message](#)

this is a very simple question

I want to see an object in grid(what ever you call it) form.

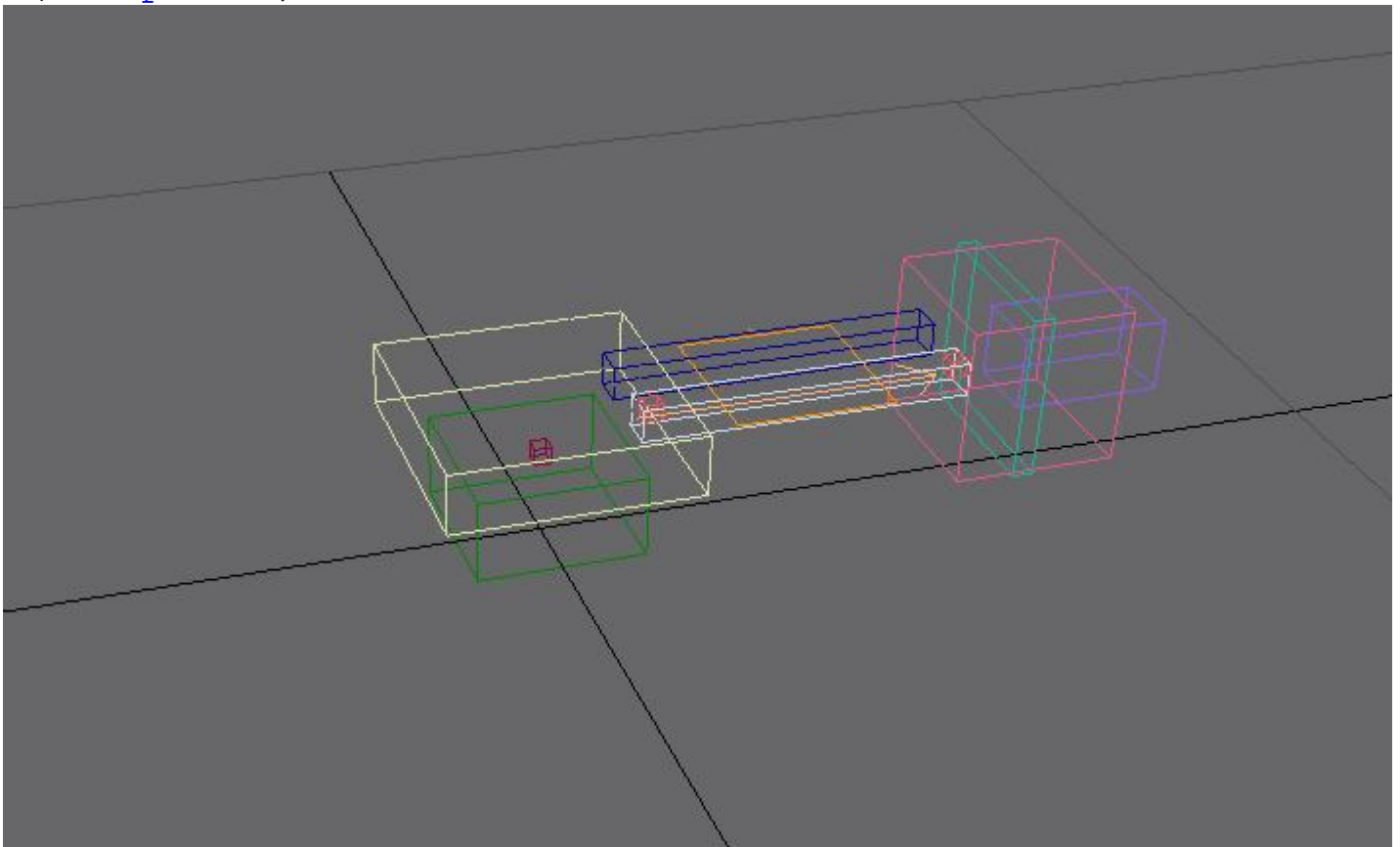
what button/key are you suppose to hit?

ex. here is my "solid" image I made in renX

how do I do this (what do i click or push to change the solid object into this veiw)

File Attachments

1) [help2.JPG](#), downloaded 787 times



2) [help1.JPG](#), downloaded 784 times

